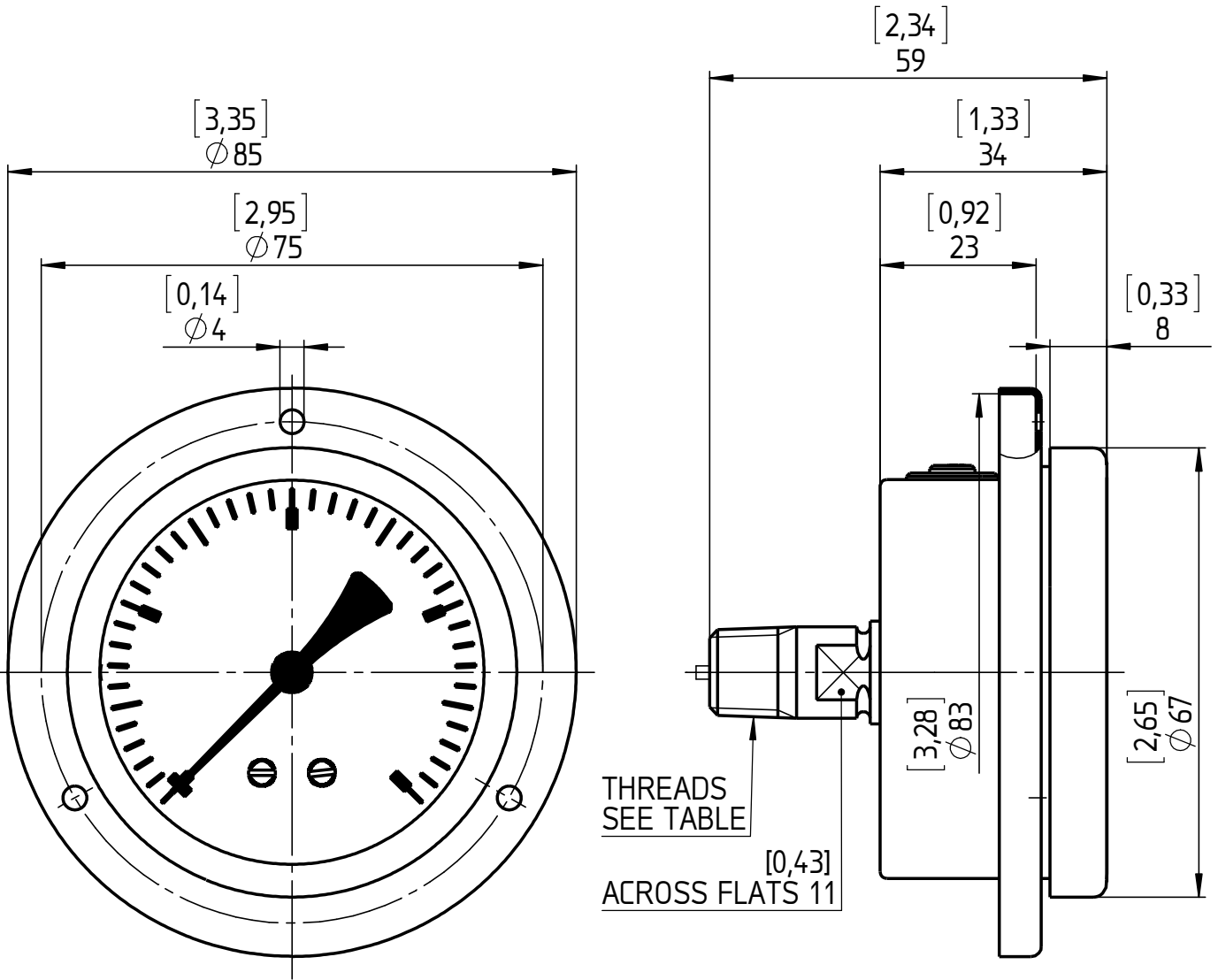
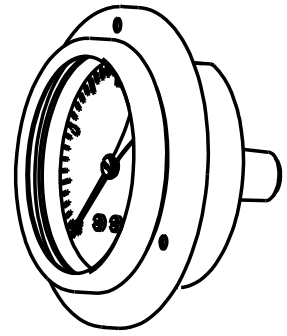


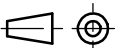
THREADS	CODE
1/8-27 NPT MALE; DIN EN 837	01
1/4-18 NPT MALE; DIN EN 837	02
G 1/4 B MALE; DIN EN 837	13



All specifications are subject to change without notice.

This drawing includes confidential information which is the property of ASHCROFT INC. This copy is loaned for a specific purpose, with the understanding that it will not be reproduced or used for any other purpose or disclosed to others, and it will be returned on demand.

Dimensions in mm [inch]



General Dimension

5008, NG63, Back, Front Flange

	Date	Name
Drawn	24.09.12	J. Krott
Checked	24.09.12	<i>[Signature]</i>

**ASHCROFT**

DWG. NO.

A 076 | 1-5008-NG63-B-FX

Rev.	Description	Date	Na.