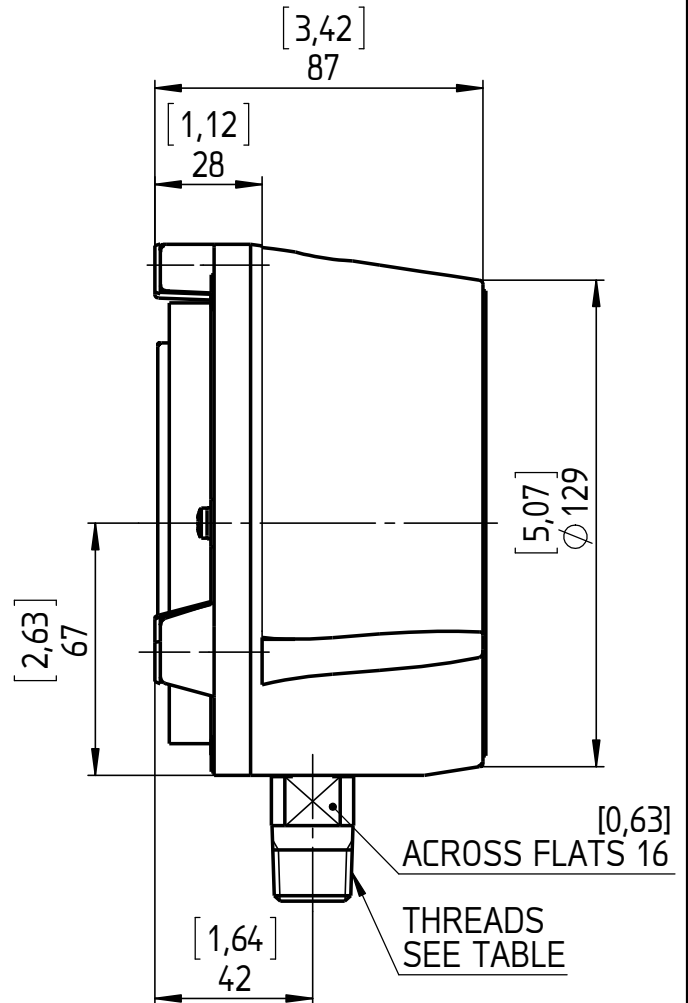
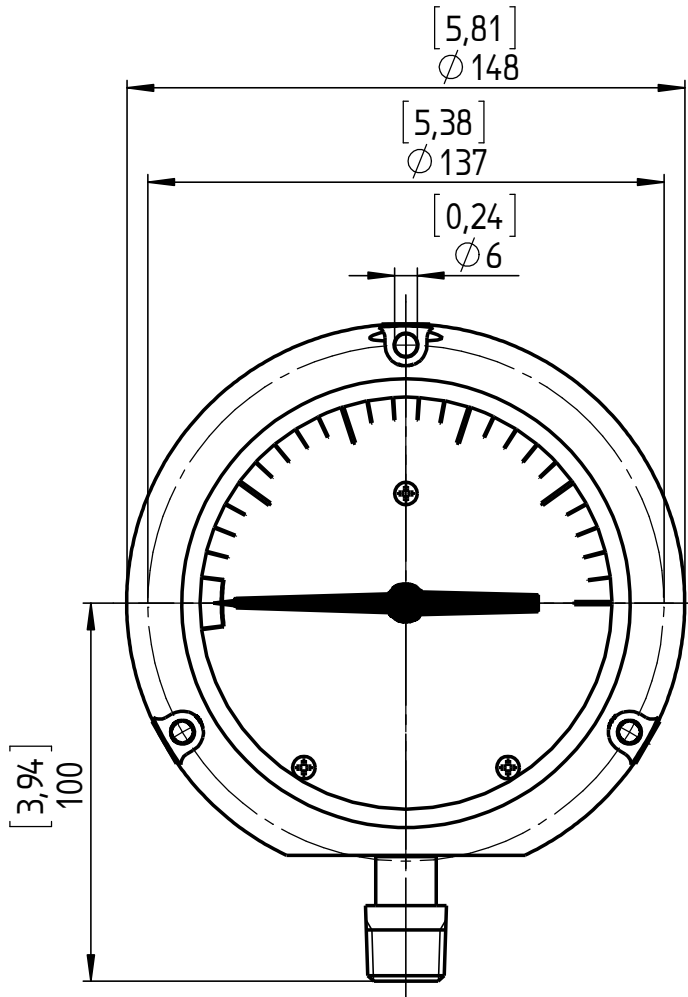
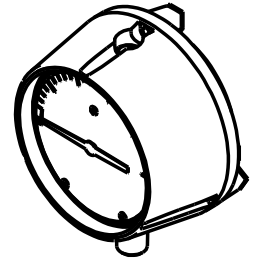


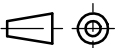
THREADS	CODE
1/4-18 NPT MALE; DIN EN 837	02
1/2-14 NPT MALE; DIN EN 837	04



All specifications are subject to change without notice.

This drawing includes confidential information which is the property of ASHCROFT INC. This copy is loaned for a specific purpose, with the understanding that it will not be reproduced or used for any other purpose or disclosed to others, and it will be returned on demand.

Dimensions in mm [inch]



General Dimension  
Bellows Gauge 1188, Lower

	Date	Name
Drawn	02.05.13	J. Krott
Checked	06.05.13	Th. Wal

**ASHCROFT**

DWG. NO.

A 076 | 1-1188-NG45-L

Rev.	Description	Date	Na.