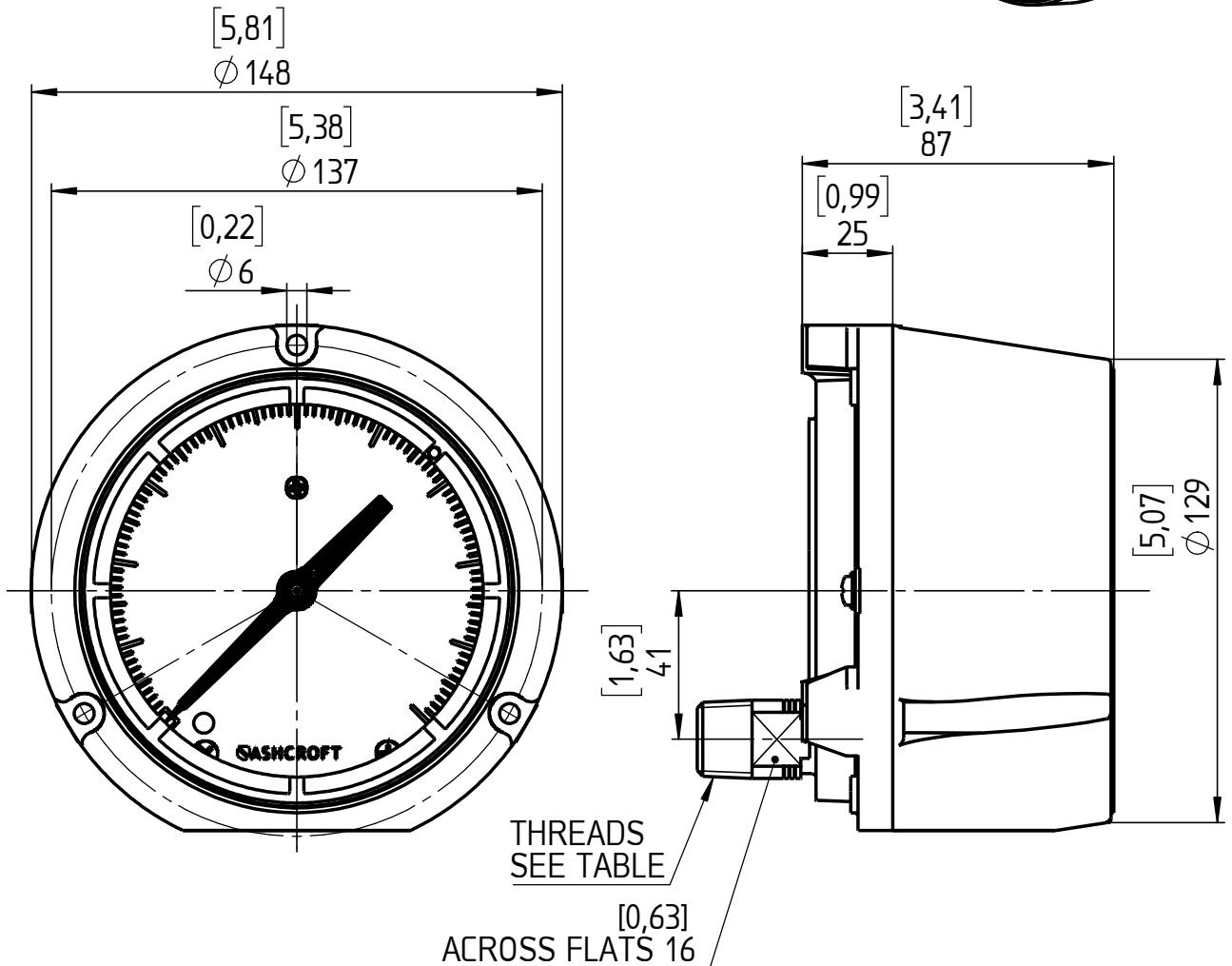
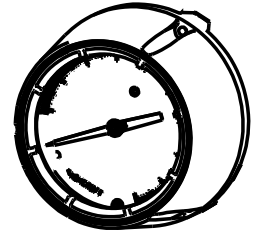


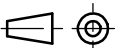
THREADS	CODE
1/4-18 NPT MALE; DIN EN 837	02
1/2-14 NPT MALE; DIN EN 837	04



All specifications are subject to change without notice.

This drawing includes confidential information which is the property of ASHCROFT INC. This copy is loaned for a specific purpose, with the understanding that it will not be reproduced or used for any other purpose or disclosed to others, and it will be returned on demand.

Dimensions in mm [inch]



General Dimension
Bellows Gauge 1188, Back

Rev.	Description	Date	Na.	Date	Name
				Drawn 26.03.21	J. Krott
				Checked 26.03.21	<i>C. Witz</i>

ASHCROFT

DWG. NO.

A 076 I 1-1188-NG45-B