

## Data Sheet

# HPX High Purity Pressure Gauge

40 mm and 50 mm Dial Sizes

### FEATURES

- Electropolished 316L Stainless steel wetted parts
- Helium leak tested to  $1 \times 10^{-8}$  atm cc/s
- Cleaned in class 100 clean room
- $\leq 0.30 \mu\text{m}$  (12  $\mu\text{in}$ ) Internal Ra finish
- Polyethylene-sealed

### TYPICAL USES

- High purity gas delivery systems
- Gas sticks
- Process gas analyzers
- Bulk gas systems



HPX Gauge  
40 mm & 50 mm dial size

### SPECIFICATIONS

Accuracy:	40 mm: $\pm 3/2/3\%$ of span 50 mm: $\pm 2/1/2\%$ of span
Dial Sizes:	40 mm, 50 mm
Ranges:	Vacuum to 15 psi, vacuum to 300 psi 0 to 60 psi, 0 to 3,000 psi
Internal Surface Finish:	$\leq 0.30 \mu\text{m}$ (12 $\mu\text{in}$ ) Ra
Process Connection:	$9/16$ -18 UNF Male or Female Connection (Compatible with $1/4$ VCR®)
Process Connection Location:	Lower, center back
Movement:	316L Stainless steel
Dial:	White face, aluminum
Pointer:	Black, aluminum

### WETTED COMPONENTS

Bourdon Tube	Gland/Socket	Joints
316L SS	316L SS	Argon Arc Welded

### NON-WETTED COMPONENTS

Case	Window
304 Stainless steel	Polycarbonate

### KEY BENEFITS

- Ultraclean design & packaging
- 100% Helium leak tested
- Serialized dial (8 digit)

### MIN/MAX TEMPERATURE LIMITS

Ambient	Process	Storage
-40 °F to 140 °F (-40 °C to 60 °C)	-40 °F to 212 °F (-40 °C to 100 °C)	-40 °F to 140 °F (-40 °C to 60 °C)

## Data Sheet

### HPX High Purity Pressure Gauge

40 mm and 50 mm Dial Sizes

ORDERING CODE	Example:	40	HPX	U	MVS	B	V/150#
<b>Size</b>							
40 - 40 mm		40					
50 - 50 mm							
<b>Gauge Family</b>							
HPX - High Purity Gauge			HPX				
<b>Purity Level</b>							
U - Class 100				U			
<b>Process Connection</b>							
MVS - Male Swivel $\frac{1}{16}$ -18 UNF (Compatible with $\frac{1}{4}$ VCR® fitting)					MVS		
FVS - Female Swivel $\frac{1}{16}$ -18 UNF (Compatible with $\frac{1}{4}$ VCR® fitting)							
<b>Process Connection Location</b>							
L - Lower							
B - Center back						B	
<b>Range</b>							
# - PSI							
V/# - Inches of Mercury Vacuum and PSI							V/150#
BR - Bar							
KP - Kilopascals							
MP - Megapascals							

## Data Sheet

### HPX High Purity Pressure Gauge

40 mm and 50 mm Dial Sizes

STANDARD RANGES			
psi	bar	kPa	MPa
V/15#	N1/1BR	N100/100KP	NP1/P1MP
V/30#	N1/2BR	N100/200KP	NP1/P2MP
V/45#	N1/3BR	N100/300KP	NP1/P3MP
V/60#	N1/4BR	N100/400KP	NP1/P4MP
-	N1/6BR	N100/600KP	NP1/P6MP
V/100#	-	-	-
V/150#	N1/10BR	N100/1000KP	NP1/1MP
V/200#	N1/15BR	N100/1500KP	NP1/1P5MP
V/300#	N1/20BR	N100/2000KP	NP1/2MP
60#	4BR	400KP	P4MP
-	6BR	600KP	P6MP
100#	-	-	-
150#	10BR	1000KP	1MP
200#	-	-	-
-	16BR	1600KP	1P6MP
300#	-	-	-
-	25BR	2500KP	2P5MP
500#	-	-	-
600#	40BR	-	4MP
-	60BR	-	6MP
1000#	70BR	-	7MP
1500#	100BR	-	10MP
2000#	-	-	15MP
-	160BR	-	16MP
3000#	-	-	20MP

**Data Sheet**

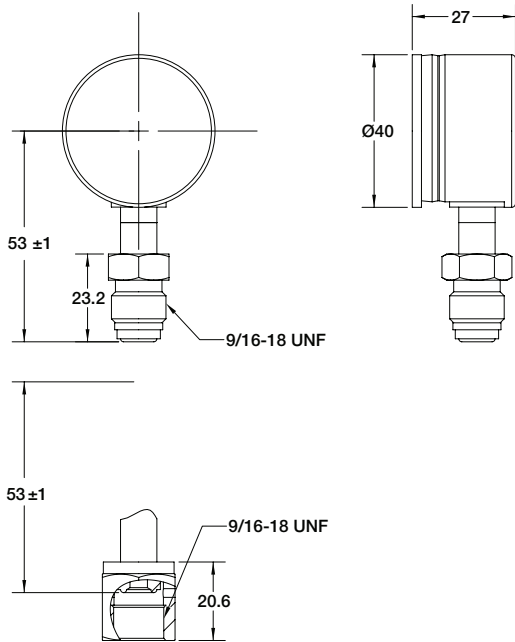
**HPX High Purity Pressure Gauge**

40 mm and 50 mm Dial Sizes

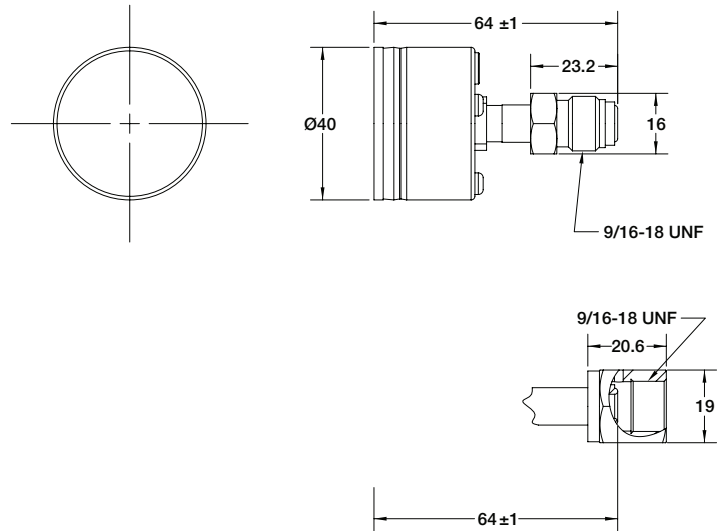
**DIMENSIONS** in millimeters

For reference only, consult Ashcroft for specific dimensional drawings

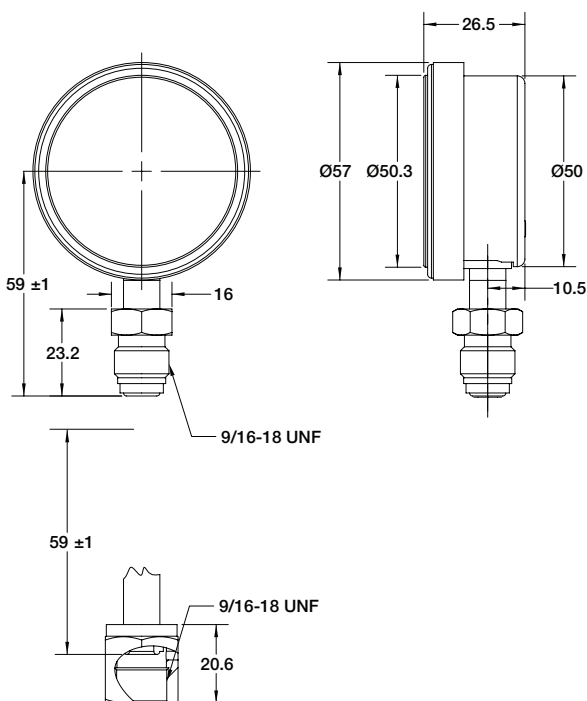
**40 mm Lower Connect**



**40 mm Center Back**



**50 mm Lower Connect**



**50 mm Center Back**

