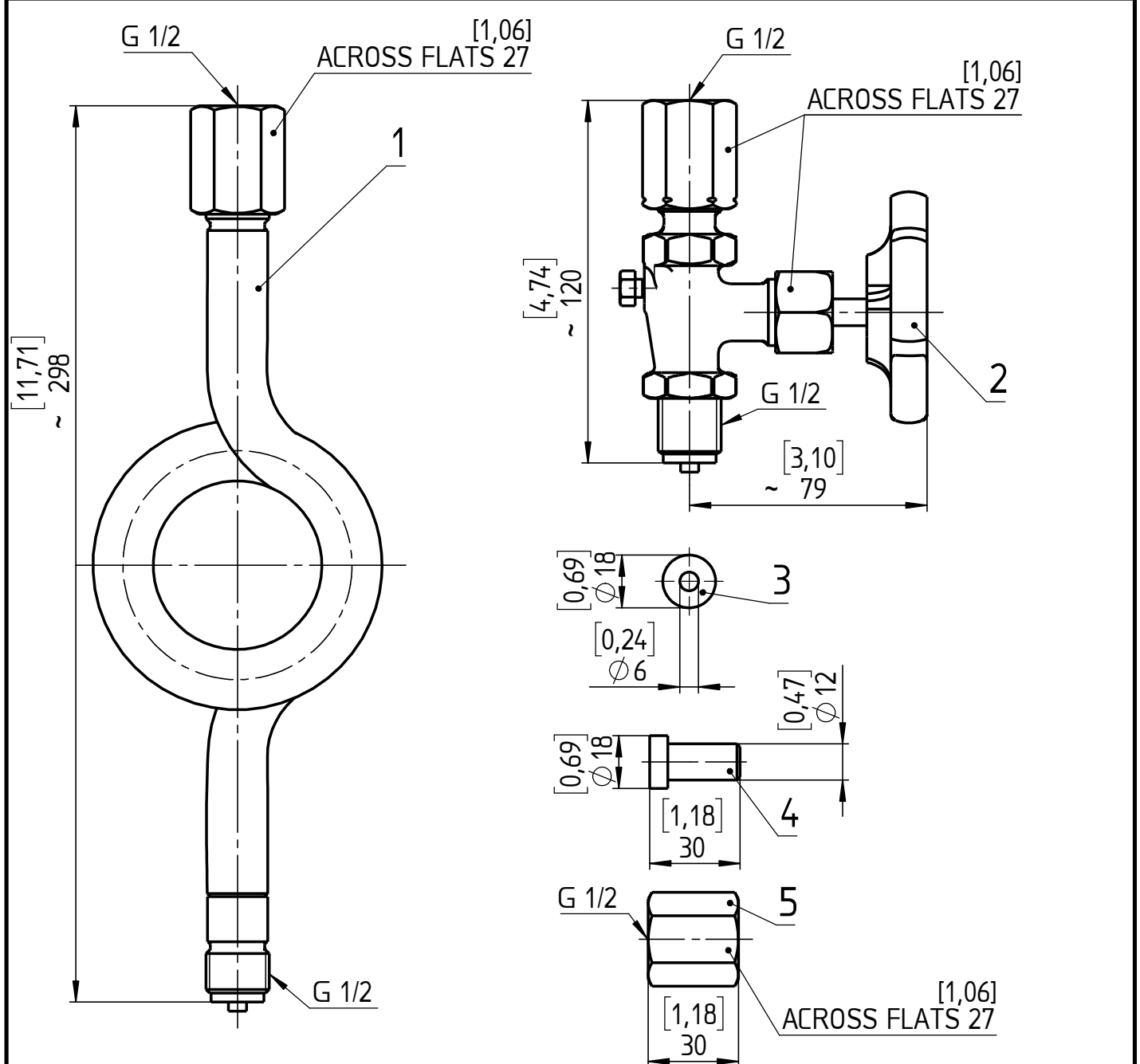


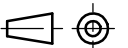
ITEM	MODEL	CODE	REMARK
1	SIPHON	15-SIP02-C-51	
2	VALVE	15-V02-0A-51	
3	GASKET		3 x 124 I 056-02
4	NIPPLE DIN16284_09	N12-DIN16284	
5	NUT DIN16284_03	51-DIN16284-N12	



All specifications are subject to change without notice.

This drawing includes confidential information which is the property of ASHCROFT INC. This copy is loaned for a specific purpose, with the understanding that it will not be reproduced or used for any other purpose or disclosed to others, and it will be returned on demand.

Dimensions in mm [inch]



General Dimension

Sykit

Siphon - Valve - Gasket - Nipple - Nut

DWG. NO.

A 076 I 8-SYKIT

Rev.	Description	Date	Na.	Drawn	Date	Name
				J. Krott	30.09.19	J. Krott
				Th. Wol	30.09.19	Th. Wol

ASHCROFT