

Differential pressure- switch/gauge

Model F5511, F5512, F5513

Max. static pressure 25 bar

Nominal size housing 100 mm, indication 80 mm

Accuracy: Class 2,5

Features

- High repeatability of the switching point
- Static pressure 25 bar, one side load permitted
- Protection IP54
- Long service life
- One or two independently adjustable contacts

Ranges

0 ... 400 mbar up to 0 ... 25 bar

Applications

Heating and ventilation

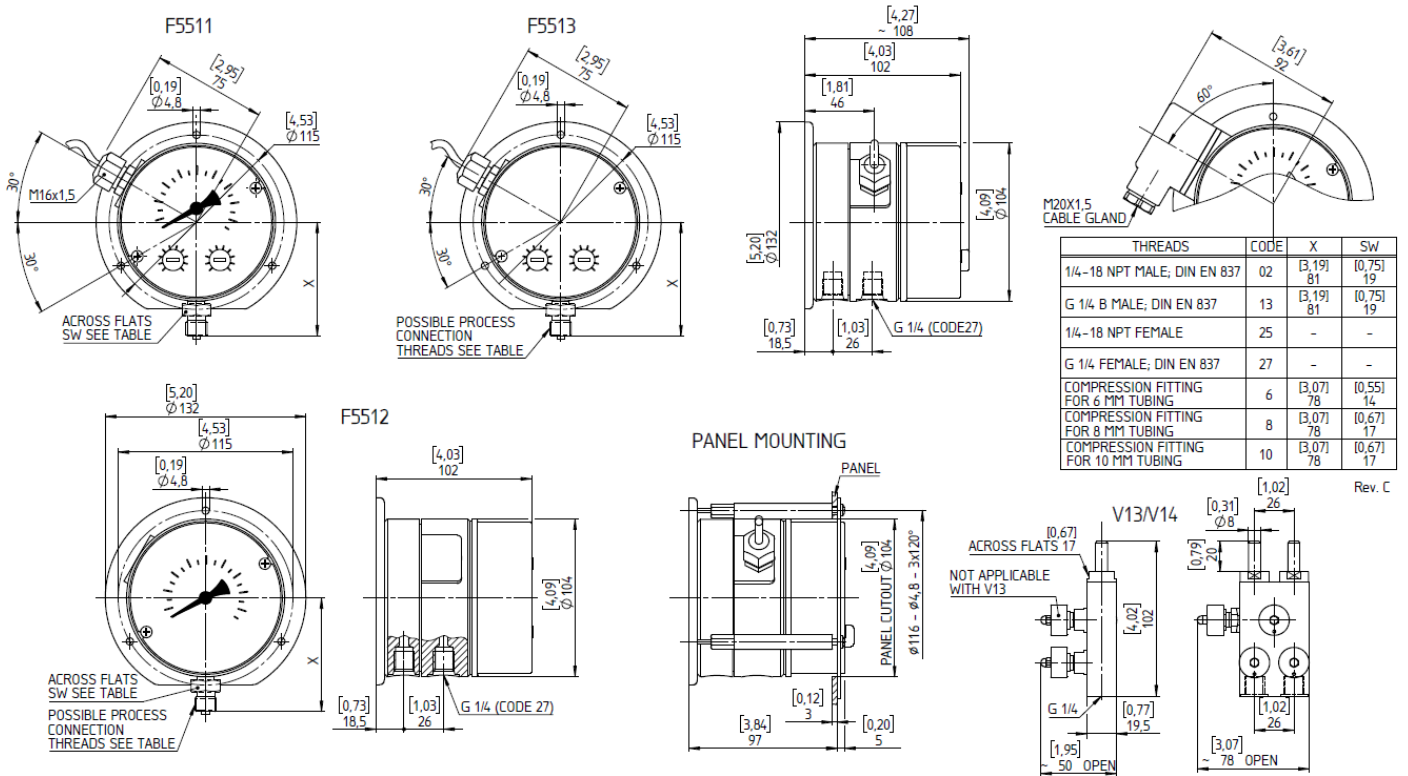
Machine and apparatus construction

Pulp and paper industry



Technical specification	F5512	F5511	F5513
Housing size [mm]	100		
Construction	Open front cylindrical case		
Indication	Yes	Yes	No
Switch functions	No	1 or 2, external adjustable	1 or 2, external adjustable
Zero adjustment	Internal, located in dial		
Measuring principle	Diaphragm (see rear side)		
Range [mbar]	400		
Range [bar]	0,6 1 1,6 2,5 4 6 10 16 25		
Max. static pressure [bar]	6 10 16 25		
Max. pressure load	One sided overpressure up to nominal range, partial vacuum protected		
Pressure type	Differential		
Process connection	G ¼ B male, G ¼ female ¼ NPT male, ¼ NPT female, others on request		
Connection location	Lower		
Material	Pressure connection: Stainless steel 303 (1.4305) or steel Pressure chamber: Stainless steel 303 (1.4305), Aluminum or Aluminum Hart Coat® Measuring diaphragm/gaskets: NBR; Viton, for ranges ≥ 16 Duratherm/NBR or Duratherm/Viton other wetted parts: Stainless steel 301 (1.4310), 303 (1.4305) Window cover: Macrolon Dial: Aluminum, black markings on white background Pointer: Aluminum, black Movement: Stainless steel 304/303 (1.4301/1.4305)		
Accuracy	Class 2,5 (2,5 % F.S.)		
Electrical specifications	Microswitch rating: 5 A 250 VAC (P max. 250 VA); 3 A 28 VDC Connection: Cable prewired, Angle connector acc. DIN EN 175301-803 Cable length: Available cable length: 1 m / 2.5m / 5m Switch Hysteresis: Approx. 2,5 %		
Permissible	Ambient temperature: -10 ... 80 °C Medium temperature: Max. 85 °C Storage temperature: -10 ... 80 °C Effect: Max. 0,8 % / 10 K		
Protection according EN 60 529/IEC 529	IP54		
CE-Mark	Low voltage regulations EN 61010-1, EN 60947-1		
Mounting	Direct or wall, others on request		
Weight [kg]	Aluminum chamber 1,2; stainless steel chamber 3,5		
Accessories, options	3 or 4 way manifolds valves		

General dimensions [mm]



Order information

Type	Diaphragm, Gaskets	Pressure chamber	Process connection	Material connection	Connection orientation	Range	Eng. units	Microswitch contact	Electrical connection	Options
(F5511) Indicating with 1 or 2 micro-switches	(N) NBR ≤ 10 bar	(S) 303 (1.4305)	(27) G 1/4 female	(=) Standard	(L) Lower	0/ 400 ¹⁾	(MBAR)	(=) Non (F5512)	(=) Non (F5512)	(NH) Tagging wired
	(V) Viton ≤ 10 bar	(A) Aluminium	(02) 1/4 NPT male	(B) Steel		0/ 0,6 ²⁾ 0/ 1 ³⁾ 0/ 1,6 0/ 2,5 0/ 4 0/ 6 0/ 10 0/ 16 0/ 25	(BAR)	(1K) One SPDT (not F5512)	(F2) Cable connection (cable lengths to be specified in [m])	(DA) Dial marking
(F5512) Indicating	(DN) NBR gasket, Duratherm diaphragm ≥ 16 bar	(AH) Aluminium Hart Coat®	(13) G 1/4 B male	(S) Stainless steel 303 (1.4305) ¹⁾				(2K) Two SPDT independently adjustable (not F5512)	(M1) Angle connector according DIN EN 175301-803	(FX) Panel mounting device 132 mm
(F5513) Non indicating with 1 or 2 micro-switches	(DV) Viton gasket, Duratherm diaphragm ≥ 16 bar		(25) 1/4 NPT female							(V13) 3 way manifold (materials per pressure chambers)
			Compress on type fittings for mm OD tubing							(V14) 4 way manifold including vent (materials per pressure chambers)
			(6) 6 mm			max. static pressure 1) 6 bar 2) 10 Bar 3) 16 bar	psi and others on request			

How to order

Size	Type	Diaphragm Gaskets	Pressure chamber	Process connection	Material connection	Connection orientation	Range	Engineering units	Microswitch contacts	Electrical connection	Options
100	F5511	DN	A	25	=	L	0/16	BAR	2K	M1	NH

Ashcroft Instruments GmbH

Germany
Max-Planck-Str. 1,
D-52499 Baesweiler
P.O. Box 11 20, D-52490 Baesweiler
Tel.: +49 (0) 2401 808-0

France
„206“ ZA du Mandinet, 1/3 Rue des
Campanules,
F-77185 Lognes
Tel.: +33 (0) 1 60 37 25 30

Website: www.ashcroft.eu

Ashcroft Instruments Ltd.
Unit 17 & 18 William James House
Cowley Road,
Cambridge CB4 0WX
Tel.: +44 (0) 12 23 39 55 00

e-Mail: sales@ashcroft.com

Ashcroft ISTANBUL
Gayrettepe Mah. Yildiz Posta Cad.
Yildiz Residence No:24 K:1 D:4
34349 Besiktas -Istanbul
Tel.: +90 (0)212 3270847