

Pressure switch series L and G

One or two independent setpoints
Accuracy: $\pm 1\%$

Features

- Stainless steel or aluminum housing
- Easy setpoint adjustment, with setpoint indication
- Protection IP66 and IP65 or NEMA 4 and 4X (UL)
- Wetted parts available in several materials
- High proof pressure
- UL and CSA listed

Ranges

75 mbar up to 210 bar
30 in. H₂O up to 3000 psi

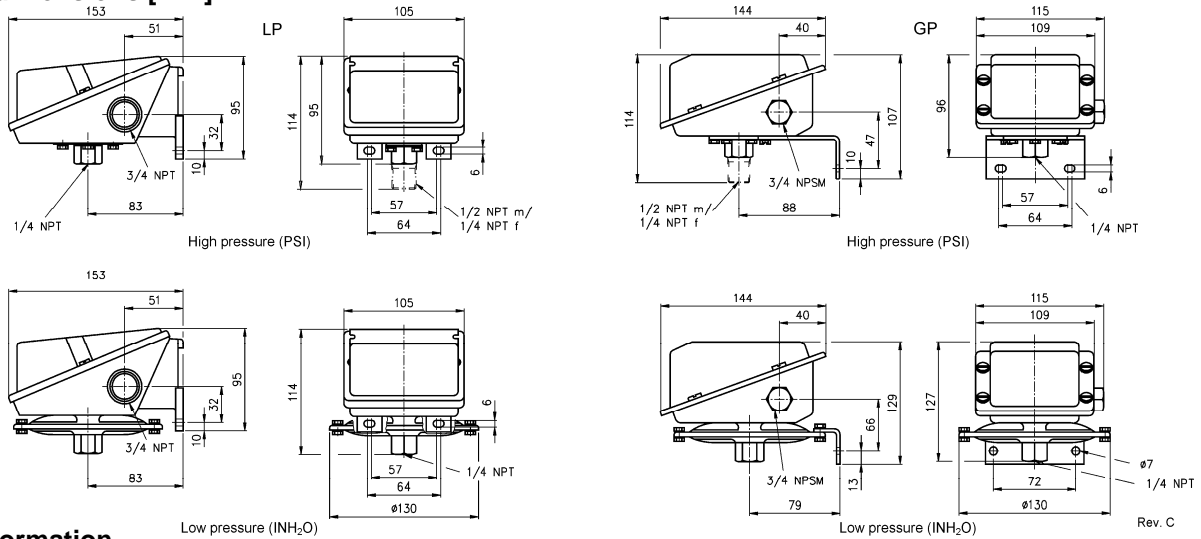
Applications

Chemical and petrochemical industry
Machine and apparatus construction
Food and beverage industry
Pulp and paper industry



Technical specification	L series			G series								
	LPA	LPD	LPS	GPA	GPD	GPS						
Type	Weatherproof											
Construction	Weatherproof											
Switch (setpoint) functions	One single setpoint	Two setpoints independently adjustable	One single setpoint	One single setpoint	Two setpoints independently adjustable	One single setpoint						
Deadband	Adjustable over 80 %	Fixed	Fixed	Adjustable over 80 %	Fixed	Fixed						
Measuring principle	Diaphragm-piston-cylinder-system											
Range [mbar]	75	150	250	375								
Range [bar]	1	2	4	7	14	28	42	70	140	210	-1/0	-1/1
Limits (pressure ranges)	mbar vacuum 1 bar 1,5 to 4 bar 7 to 14 bar 28 to 42 bar 70 to 210 bar											
Proof pressure [bar]	1,4 17 35 35 69 165 827											
Burst pressure [bar]	2,4 28 69 103 207 207 966											
Pressure type	Gauge, vacuum and compound											
Process connection	$\frac{1}{4}$ NPT female, $\frac{1}{2}$ NPT male/ $\frac{1}{4}$ NPT female (standard for ≥ 70 bar)											
Connection location	$\frac{1}{2}$ NPT female, G $\frac{1}{2}$ B male, M20x1,5, others on request (metric connections with adapter)											
Material	Lower											
Pressure connection	Stainless steel 316 (1.4401), optional Monel											
Diaphragm	For mbar ranges steel epoxy coated standard, stainless steel on request											
Housing	Buna N, Viton (max. 70 bar), Teflon, stainless steel 316 (1.4401) or Monel (stainless steel and Monel only from ≥ 1 bar to ≤ 70 bar)											
Accuracy	Aluminum, epoxy coated grey Stainless steel 316 (1.4401)											
Electrical specification	1 % F.S.											
Microswitch ratings	Up to max. 6 A 30 VDC respectively 22 A 250 VAC (see microswitch table)											
Electrical connection	$\frac{3}{4}$ NPT female, optional cable glands, $\frac{1}{2}$ NPT with reducer bushing, M20x1,5, others on request											
General specification												
Permissible Ambient temperature	-25 ... 60 °C											
Medium temperature	Buna N and Teflon -18 ... 65 °C, Viton -7 ... 150 °C, Stainless steel and Monel -18 ... 150 °C											
Storage temperature	-40 ... 60 °C											
Effect	Max. 0,4 % / 10 K ref. 20 °C											
Protection according UL	NEMA 4 and 4X											
Protection according EN 60 529/IEC 529	IP66 IP65											
CE-mark	Low voltage regulations EN 61 010-1, EN 60 947-1											
Mounting	Standard stem or wall, optional 2" pipe mounting (TM)											
Weight mbar/bar [kg]	1,8/1,4 1,6/1,2											
Accessories, options	Diaphragm seals, valves, adapters, NACE											

General dimensions [mm]



Order information

single dual	Switch element Description	Actuator seal	Range	Engineer- ing unit	Protection	Process connection	Electrical connection	Options
LPA GPA		(B) Buna N ¹⁾	-30/ 0 -30/ 15	INHG/PSI	(UL) Standard	(25) ¼ NPT female	(=) Standard	(NH) Tagging wired
(H)	General purpose (10 A 250 VAC, 6 A 30 VDC)	(V) Viton ²⁾	30	INH ₂ O	(IP) IP66 (for L series) IP65 (for G series)	(06) ¼ NPT female/ ½ NPT male ¹⁾	(JL) ¾ to ½ NPT female re- ducing bush- ing	(FS) Factory adjusted setpoint
(J)	Hermetically sealed (11 A 250 VAC, 5 A 28 VDC)	(T) Teflon ¹⁾	60 100 150					
LPS LPD GPS GPD		(S) 316 (1.4401) ³⁾	15 30 60 100 200 400 600 1000 2000 3000	PSI		(07) ½ NPT female (15) G ½ B male ²⁾ (16) M20x1,5 male ²⁾	(JM) ¾ NPT to M20x1,5 fe- male reduc- ing bushing	(6B) Oxygen cleaned (not for Buna N diaphragm; in. H ₂ O ranges only with option TA)
(C)	Heavy duty AC (22 A 250 VAC)	(P) Monel ³⁾						
(F) (FF)	Sealed environment proof (15 A 250 VAC)						Only for protection IP	(TM) 2" pipe mounting bracket
(G) (GG)	General purpose ¹⁾ (15 A 250 VAC, 6 A 30 VDC)						(KV2) Plastic cable gland IP65, PG11	(TA) 316 (1.4401) pressure connection for in. H ₂ O ranges
(J) (JJ)	Hermetically sealed general purpose ¹⁾ (11 A 250 VAC, 5 A 28 VDC)						(KV3) Plastic cable gland IP65, PG13,5	(MD) Metric ranges
(K) (KK)	Narrow deadband (15 A 250 VAC)						(KV4) Plastic cable gland IP65, PG16	(2C) DPDT with single set point adjust- ment (only available with LPS/GPS)
(L) (LL)	Hermetically sealed gold contacts (1 A 125 VAC) (for use in intrinsically safe circuits)						(KV52) Plastic cable gland PG13,5	
(M) (MM)	Low level (gold) contacts (1 A 125 VAC)							
(P) (PP)	Hermetically sealed, narrow deadband (5 A 250 VAC)	1) max. medium temperature -18 ... 65 °C						
(S)	Heavy duty DC (10 A 125 VAC, 10 A 125 VDC)	2) max. medium temperature -7 ... 150 °C max. range 1000 psi						
(W) (WW)	Ammonia service (5A 250 VAC, 6 A 30 VDC)	3) max. medium temperature -18 ... 150 °C only ranges from 15 to 1000 psi						
(Y) (YY)	High temp. (max. 150 °C) (15 A 250 VAC)							
1) VDC rating not UL listed						1) standard for ranges ≥ 1000 psi 2) with Adapter		

How to order

Type	Switch element	Actuator seal	Range	Engineering unit	Protection	Process connection	Electrical connection	Option
LPD	GG	B	100	PSI	UL	25	JL	NH

Ashcroft Instruments GmbH

Germany
Max-Planck-Str. 1, D-52499 Baesweiler
P.O. Box 11 20, D-52490 Baesweiler
Tel.: +49 (0) 2401 808-0, Fax: +49 (0) 2401 808-125

France
„206“ ZA du Mandinet, 1/3 Rue des Campanules
F-77185 Lognes
Tel.: +33 (0) 1 60 37 25 30, Fax: +33 (0) 1 60 37 25 39

Website: www.ashcroft.eu

United Kingdom
Unit 5 William James House
Cowley Road, Cambridge CB4 0WX
Tel.: +44 (0) 12 23 39 55 00, Fax: +44 (0) 12 23 39 55 01

e-Mail: sales@ashcroft.com